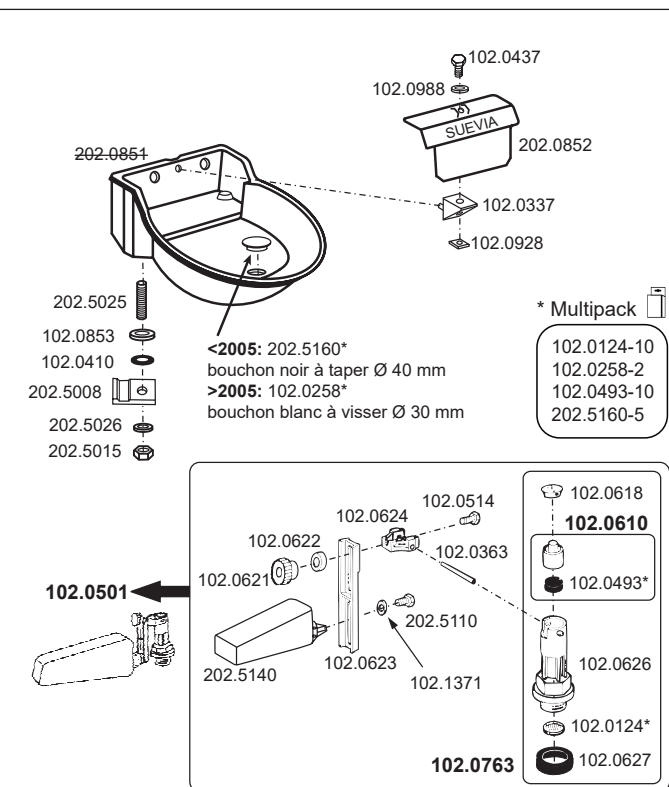
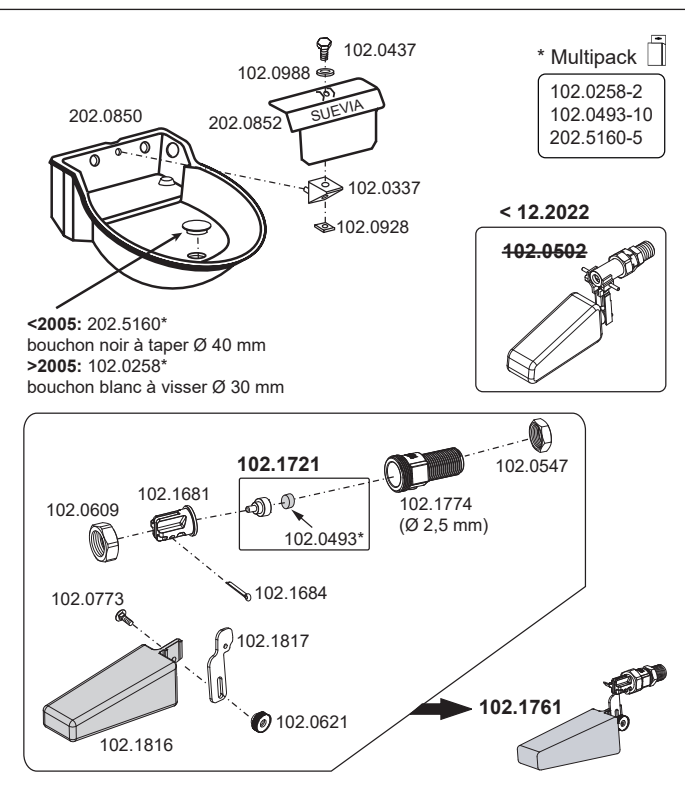


### Abreuvoirs RICO

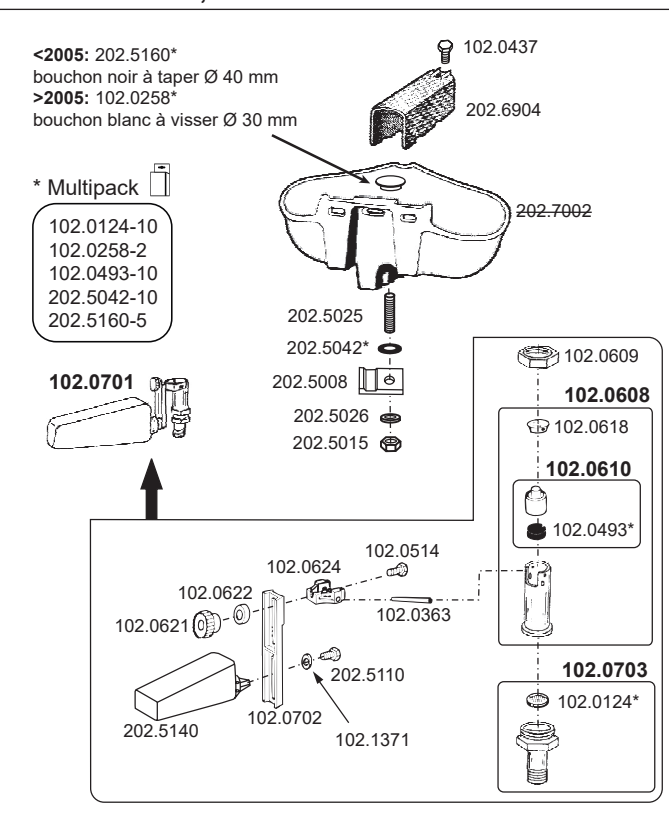
#### 200.0022 Mod. RUB



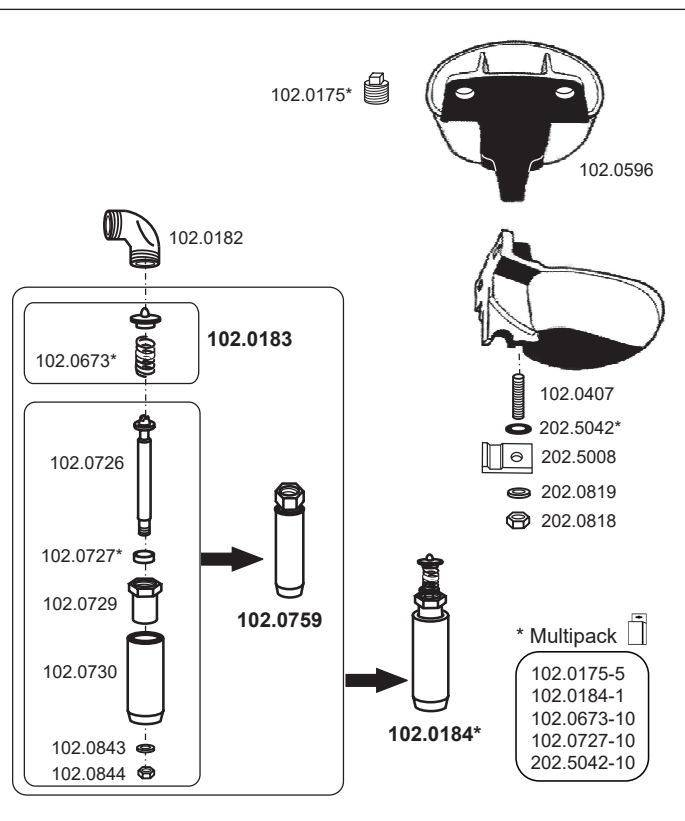
#### 200.0023 Mod. RUC



#### 200.0025 Mod. RUD, Mod. RUDB



#### 200.0009 Mod. V4S



# Abreuvoirs RICO

200.0012 / 200.0013 Mod. T3, 200.0010 / 200.0011 Mod. T4	200.0016 Mod. RICO S
<div data-bbox="172 230 295 257"> <p><b>202.5010*</b></p> </div> <div data-bbox="172 257 295 347"> <p>202.5011*</p> </div> <div data-bbox="95 347 399 425"> <p>T3 - 202.5071    T3 - 202.6204 T4 - 202.6008    T4 - 202.6004</p> </div> <div data-bbox="204 492 295 519"> <p><b>202.6230</b></p> </div> <div data-bbox="220 526 367 627"> <p>202.6202</p> </div> <div data-bbox="119 638 279 884"> <p>202.5012 202.5014 202.5030 202.6211 202.6210 202.5040*</p> </div> <div data-bbox="279 734 375 761"> <p><b>202.6235</b></p> </div> <div data-bbox="143 891 263 958"> <p>202.6220 202.6221 202.6222</p> </div> <div data-bbox="143 969 263 996"> <p>202.5041*</p> </div> <div data-bbox="454 230 726 403"> <p>T3 - 202.5002 T4 - 202.6002</p> </div> <div data-bbox="454 436 742 660"> <p>T3 - 202.5002 T4 - 202.6002</p> </div> <div data-bbox="454 649 742 817"> <p>202.5025 202.5042* 202.5008 202.5026 202.5015</p> </div> <div data-bbox="582 817 726 851"> <p>* Multipack</p> </div> <div data-bbox="582 862 726 996"> <p>202.5010-2 202.5011-10 202.5040-10 202.5041-10 202.5042-10</p> </div>	<div data-bbox="869 224 1021 257"> <p>* Multipack</p> </div> <div data-bbox="869 268 1021 425"> <p>102.0194-4 102.0658-10 202.5011-10 202.5040-10 202.6320-5 202.6430-10</p> </div> <div data-bbox="1077 212 1380 436"> <p>202.6315 202.6302</p> </div> <div data-bbox="869 571 957 604"> <p>&lt;1980:</p> </div> <div data-bbox="965 459 1396 705"> <p>102.0658*    202.6340 202.6344 202.6342 202.6335 202.5040*    202.6320* 202.6314* 202.5011*</p> </div> <div data-bbox="869 862 957 896"> <p>&gt;1980:</p> </div> <div data-bbox="965 750 1396 996"> <p>202.6430*    102.0194* 202.6410 202.6411 202.6412 202.6320* 202.6314* 202.5011*</p> </div>